

QWCA-90-S WR-90 to SMA

Features:
* Low VSWR

Applications:
* Wireless
* Transmitter
* Laboratory Test
* Radar

Electrical

Frequency:	8.2~12.5GHz
VSWR:	1.15 max. 1.2 max.(end launch)
Insertion Loss:	0.2dB max.

Mechanical

Coax Connectors:	SMA
Waveguide Size:	WR-90
Flange:	FBP100/FDM100
Material:	Aluminium Sliver plate brass (end launch)

How To Order

QWCA-90-X-Y-Z

X : Connector type.

Y : Configuration type.

Z : Flange type if applicable.

Connector naming rules:

S - S Male (Outline A, Outline B, Outline C)

SF - S Female (Outline A, Outline B, Outline C)

Configuration naming rules:

E - End launch (Outline B)

R - Right angle (Outline A, Outline C)

Flange naming rules:

1 - FBP (Outline A, Outline B)

2 - FDP

3 - FBM

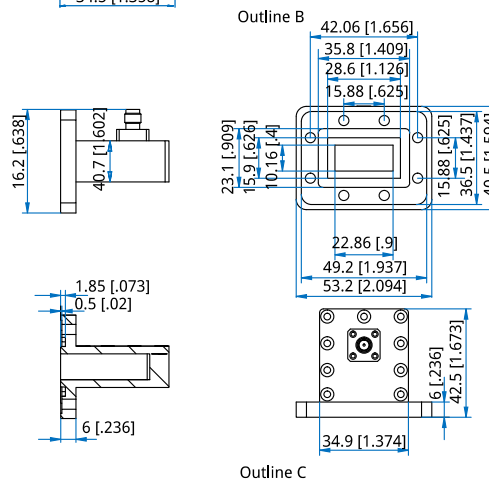
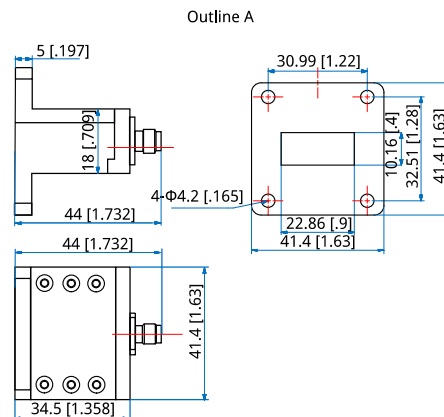
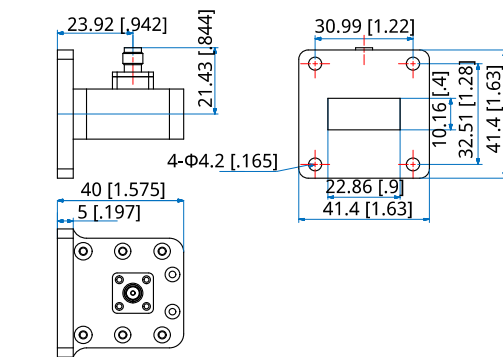
4 - FDM (Outline C)

Examples:

To order a waveguide to coax adapter, WR-90 to SMA female, right angle, FDM, specify QWCA-90-SF-R-4.

Customization is available upon request.

Outline Drawings



Unit: mm [in]

Tolerance: ±0.2mm [±0.008in]